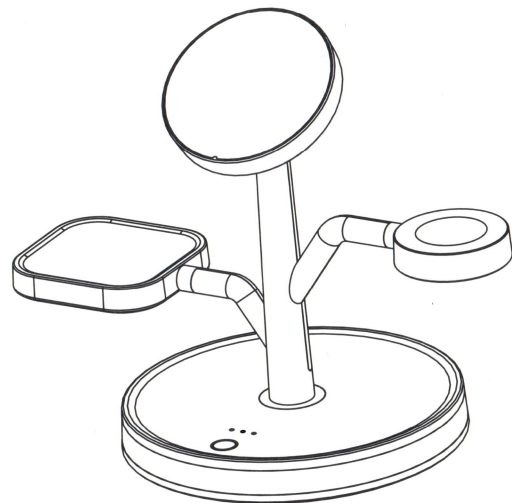


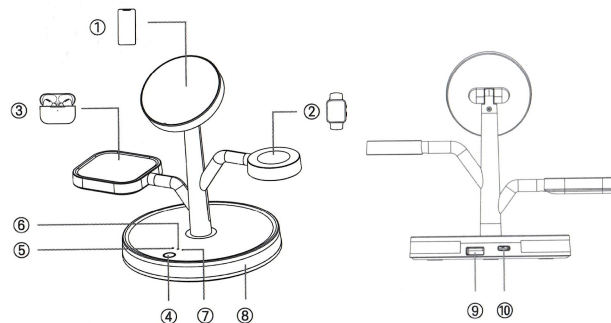
4-in-1 Wireless Charger

Product manuals



Products

This product is a four-in-one wireless charger, the preferred smart chip, while supporting cell phones, smart watches, TWS three devices charging at the same time, comes with a small night light function. Achieve high efficiency, stable performance, put on the instant charge, easy to enjoy wireless charging technology life. Can also support Qi standard wireless charging of other electronic devices.

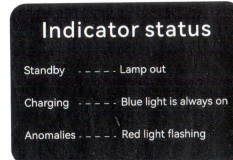


- ① Cell phone charging
- ② Watch charging
- ③ TWS charging
- ④ Night light button
- ⑤ TWS indicator
- ⑥ Cell phone indicator
- ⑦ Watch indicator
- ⑧ Small night light
- ⑨ USBA-Output
- ⑩ TYPEC-Input

Product Features

一、Charging method

- When the power is turned on, the indicator light flashes and then goes off. Enter the standby state.
- Align the induction area and put the charging product on, the indicator light is always on and Enter the charging state.
- Remove the charging product, the indicator light will be off and Restore the standby state.



二、Lighting Night Light

Night lighting, controlled by the touch button switch, the light color is warm white. Light sequence: Off - low light - medium light - high light Cycle.

三、Support Devices

- Mobile phone wireless charging module is compatible with IPHONE8 to IPHONE14 series cell phones and other cell phones and devices that support Qi wireless charging protocol.
- Watch wireless charging module is compatible with Apple 2 to 8 generation watches, SE watches and other series models wireless charging.
- Wireless charging module for headphones is compatible with Qi standard headphone bin devices

(Note: The greater the distance from the center point, the worse the charging effect.)

Product parameters

Input: QC/PD 18W Type-C

Size: 190*120*157mm

Output: 5W/7.5W/10W/15W (Smartphone)

Charging distance: 3-6mm

Output: 5W (TWS)

Weight: 260g

Output: 2.5W (Watch)

Conversion efficiency: 80%-85% Max

LED : 2W

Color: Black / White (Support customization)

FAQ

1. The phone is not charging when you put it on?

The phone is not aligned with the charging induction area or the receiving coil is not properly installed.

2. Charging is hot?

It is normal for the receiving coil or transmitting board to get hot during wireless charging.

3. Is the phone charging intermittently?

A. The adapter charging current is not enough or the voltage is unstable, please use QC3.0 fast charging head electricity.

B. The charging position is too partial, the electromagnetic induction is not good, you can adjust the charging position.

4. The host indicator is normal, but the phone does not work?

Cell phone receiving coil failure, suggest to update the receiving coil or repair the phone (built-in receiving circle)

5. Charging is slower?

The phone itself or external receiver coil allows wireless charging current size is different, or the phone charging standby power consumption is large, it is recommended to reduce the phone standby program.

Safety instructions

1. When using fast charging, please use qualified QC3.0 charging power adapter and fast charging cable, otherwise it may cause charging instability.
2. Please do not put metal debris or magnetic cards on the charging board, which may cause damage or abnormalities to the charger.
3. If you encounter the receiving coil or transmitting board overheating during use, resulting in stopping charging, please remove the charging product, wait for it to cool down, and then try charging again.

Cautions

1. Please do not pull the power cord strongly to avoid the power cord breakage or fall off.
2. Do not disassemble or put into fire or water to avoid short circuit and leakage.
3. Do not use the product in severe heat, humidity or corrosive environment to avoid damage to the circuit leakage.
4. Please do not give children to play to avoid unnecessary accidents.

Warranty Coverage

If the product does not work properly during normal use or fails during normal use, and is determined by our company, you can enjoy Subject to our company's after-sales service commitment.

The following cases are not covered by the warranty:

1. accessories are not warranted.
2. failure caused by improper operation of the user.
3. caused by accidental disasters, man-made damage, self-disassembly, random disassembly, etc. caused by failure.

Note: The damage caused by improper operation of the user mobile equipment, or even bring danger, our company does not assume any responsibility.

4. Overdue maintenance (products more than six months warranty period, customers still enjoy maintenance services, but need to pay the maintenance labor, material costs, etc.)

